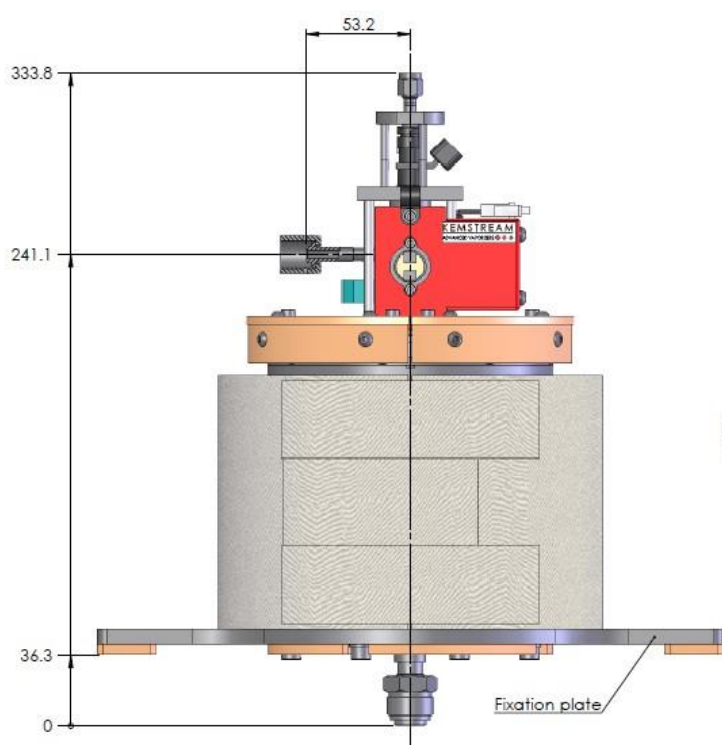


# VAPBOX 1500

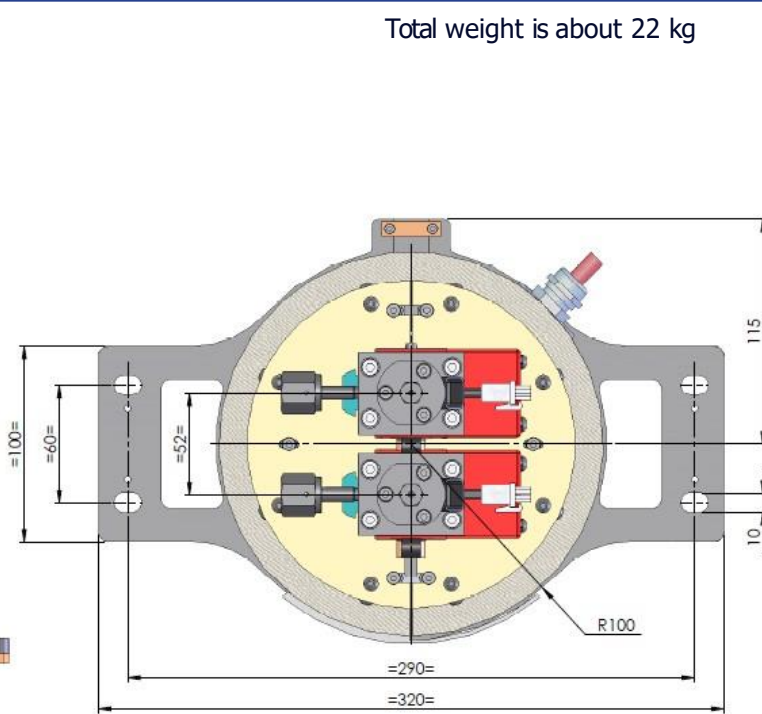


- Vaporizes pure liquid compounds and solid ones dissolved in a carrier liquid (organic solvent) up to 300°C.
- Is able to handle and vaporize most of solid and liquid compounds including low vapor pressure, thermally labile and viscous ones.
- Provides high and unmatched performances based on a pulsed injection of a mixture of liquid and carrier gas.
- Operates from vacuum to atmospheric pressure.
- Thanks to delivering of accurate and stable liquid flows, the VAPBOX 1500 delivers accurate and stable vapor flows.
- Can inject and vaporize 2 liquids or solutions simultaneously or sequentially.

## DIMENSIONS (mm)



Front view



Top view

Total weight is about 22 kg

## TECHNICAL SPECIFICATIONS

### Injection Heads (liquid inlets)

- 1 or 2

### ICU (Injection Control Unit)

- 24 VDC or 110-230 VAC remote and rackable 19" 2U unit

### Heating:

- 3 heating zones, up to 300°C, 1650 W
- 4 K type thermocouples: (1 per heating zone + 1 alarm)

### Fittings:

- 1/8" compression type or 1/8" VCR male fitting for liquid inlet(s) (1-2)
- 1/4" VCR female fitting for carrier gas inlet(s) (1-2)
- 1/2" VCR male fitting for vapor outlet

### Versions:

- 230 VAC version and 115 VAC version

### Accessories:

- 1 Liquid flow controlling kit per Injection Head, including a Liquid Flow Meter (LFM)
- Liquid panel with 1 precursor tank per Injection Head and with an optional solvent tank (for rinsing purpose)
- Carrier gas panel with 1 carrier gas Mass Flow Meter (MFM) per Injection Head
- TCU (Temperature Control Unit): 19" remote and rackable 3U unit

### Flows range (per Injection Head):

- Typical carrier gas flow range = 120 to 7500 sccm
- Typical liquid flow range = 0.1 to 10 g/min

## ORDERING INFORMATION

### Injection head

HB4 - S2V F4 H

#### Liquid inlet fitting

<b>S2V</b>	1/8" Swagelok
<b>M2V</b>	1/8" VCR male

#### Carrier gas inlet fitting

<b>F4</b>	1/4" VCR female (standard)
<b>M4</b>	1/4" VCR male
<b>S4</b>	1/4" Swagelok
<b>T4</b>	1/4" OD tube

#### Carrier gas inlet direction

<b>H</b>	Horizontal (standard)
<b>V</b>	Vertical

### Vaporizer

V15 HBRS2 M8 V

#### Voltage (for heating)

<b>HBRS2</b>	230 VAC
<b>LBR2</b>	115 VAC

#### Vapor outlet fitting

<b>M8</b>	1/2" VCR male (standard)
<b>M4</b>	1/4" VCR male
	other fittings upon request

#### Vaporizer pressure (process P)

<b>V</b>	from 0 to 1.5 bara
<b>A</b>	above 1.5 bara